

SPECIFICATIONS:

MATERIAL

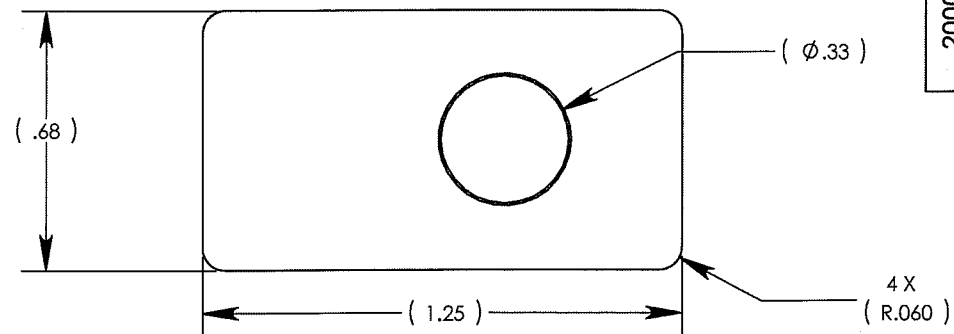
CASE.....THERMOPLASTIC
 TERMINALS....BRASS
 MOVING BLADE.....BERYLLIUM COPPER
 CONTACTS...SILVER CADMIUM OXIDE
 SPRING.....STAINLESS STEEL

ELECTRICAL

TEMPERATURE RATING.....-40°C TO 85°C
 FLAMMABILITY RATING.....UL94V-O

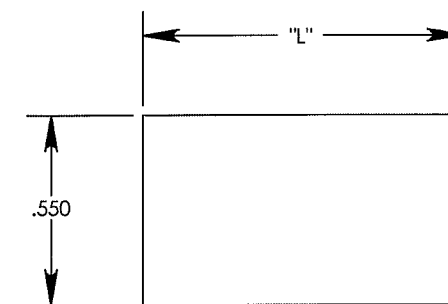
AGENCY

UL FILE#.....E213351

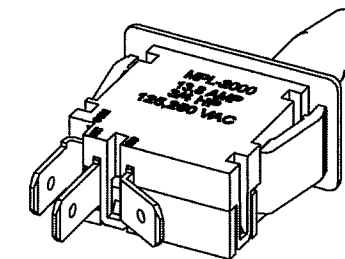
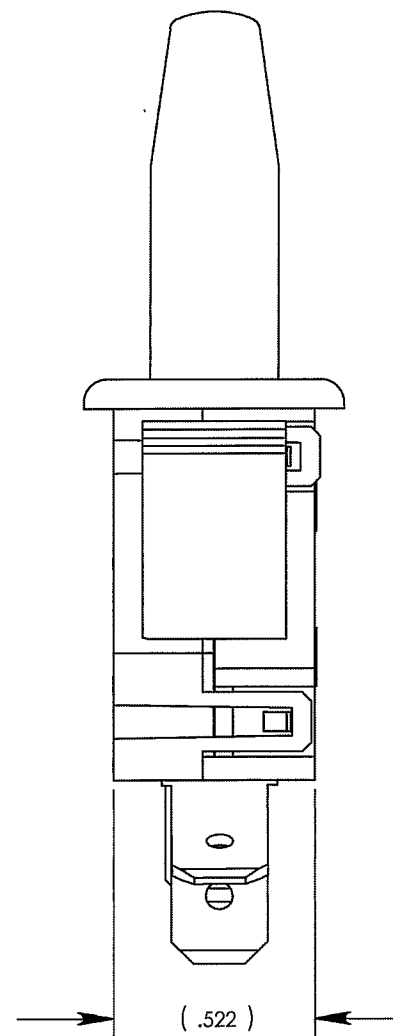
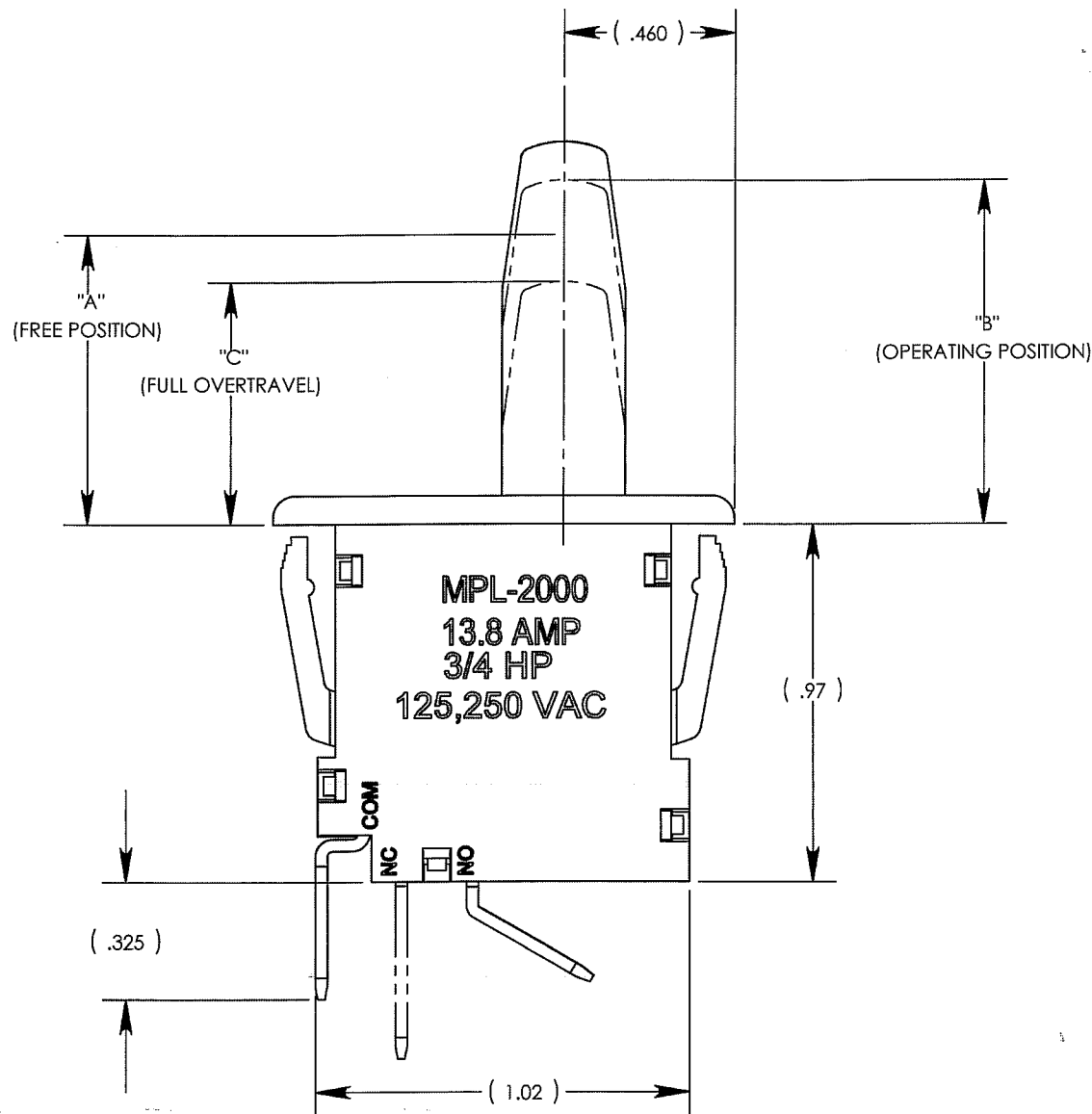


2000X-X
S1

SUGGESTED MOUNTING HOLE DETAIL



L = 1.115 FOR .045 THICK WALL
 L = 1.125 FOR .100 THICK WALL



MPL P/N	CUSTOMER P/N	DESCRIPTION	TERMINAL	DIM "A"	DIM "B"	DIM "C"	PLUNGER COLOR	BASE COLOR	TOLERANCES: UNLESS OTHERWISE SPECIFIED ALL DIMENSIONS ARE IN INCHES	REV	ECN	DATE	BY	INITIAL	DATE	
2000XD-0001	TBD	MPL 2000-N/O-1.20-1.00	COMM, NO	1.27 ±.03	1.205 ±.055	.83 MAX	WHITE	WHITE	.X = — .XX = .01 .XXX = .005 .XXXX = .0005 ANGES ± 2° LAST USED (X) = CRITICAL DIMENSIONS					DRAWN	SVJR	09/12/07
2000XO-0008	TBD	MPL 2000-1.20-1.29	ALL	1.06 .MAX.	.875-.980	.59 MAX	WHITE	WHITE							CHCK	<i>msj</i>
														ENGR	<i>Mpsade</i>	07/12/07
														OPER	<i>TJA</i>	
THIS DOCUMENT CONTAINS TRADE SECRET INFORMATION THAT IS PROPRIETARY TO MICRO PNEUMATIC LOGIC, INC. AND/OR TO OUR CUSTOMER. USE OF THIS INFORMATION OR THIS DOCUMENT BEYOND THE PREMISES OF MICRO PNEUMATIC LOGIC INC. IS UNLAWFUL AND PROHIBITED WITHOUT PRIOR WRITTEN AUTHORIZATION.										CAD FILE: 2000X-X.slddrw		QUAL				

MPL www.pressureswitch.com

DOCUMENT NUMBER: 2000X-X

SCALE: 1:1 SHEET: 1 OF 1

REV: S1