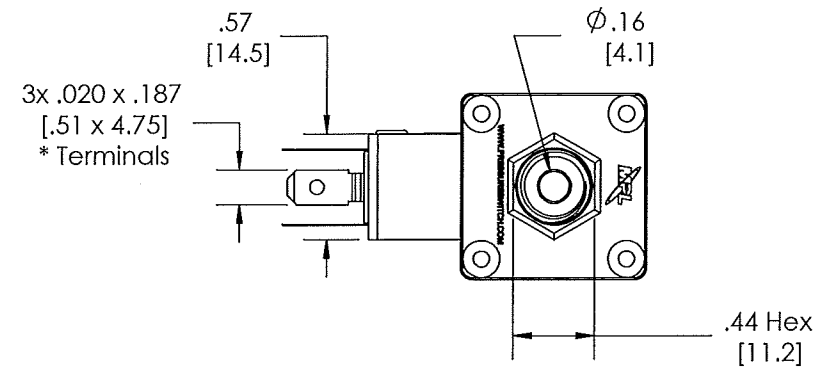
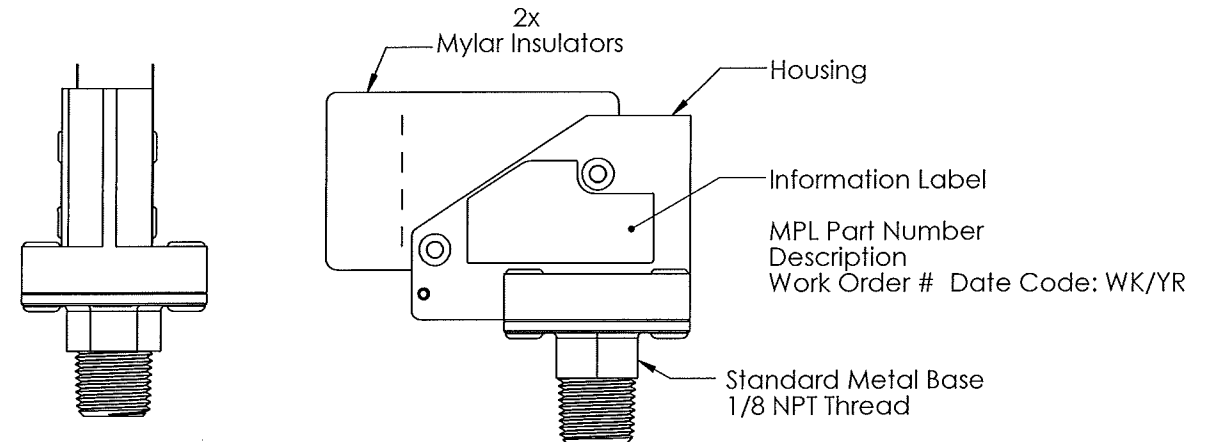
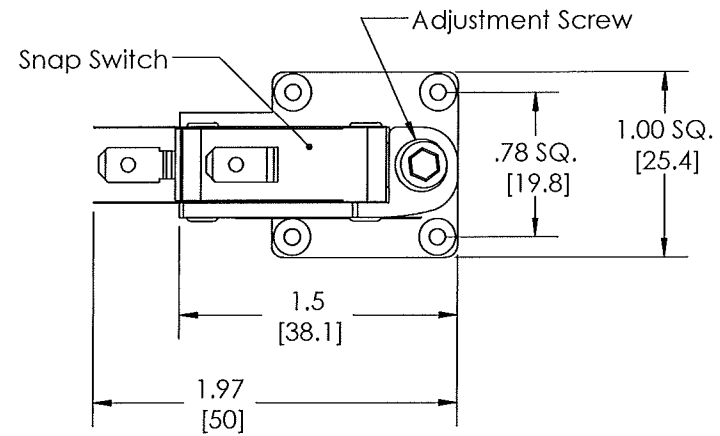
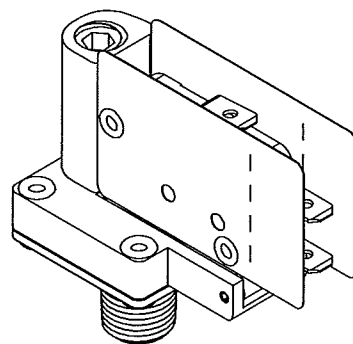
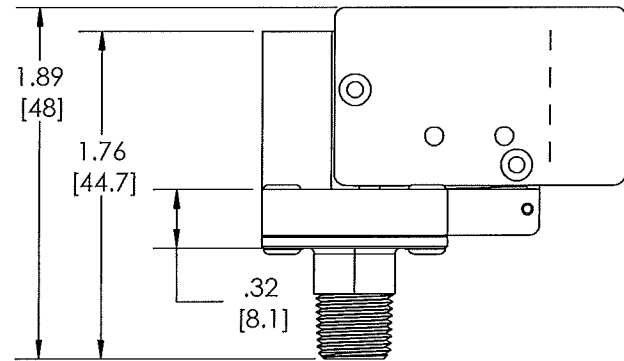
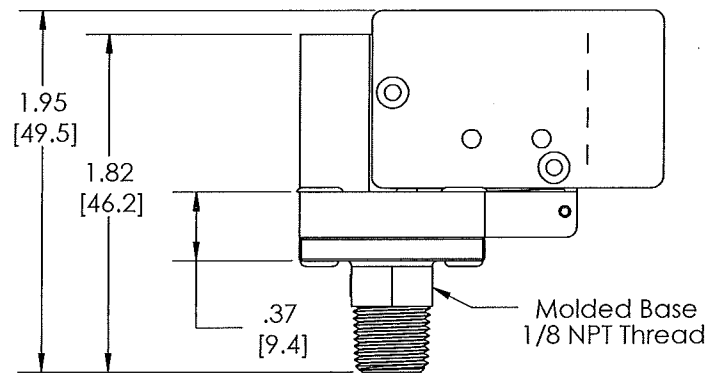


STANDARD SPECIFICATIONS	
Mechanical	
Body	Zamak (aluminum-zinc alloy)
Base *	Zamak (aluminum-zinc alloy)
Diaphragm *	Polyurethane
Burst Pressure	500 PSI
Life	1,000,000 cycles
Weight (approx.)	2 oz. [57 gms]
Snap Switch *	3 Amp 125, 250, 277 VAC 1/10 HP 250 VAC
Terminals	Brass .187 x .020 male tabs
Contacts	Fine Silver
Contact Form	SPDT
Functional	
Operating Position	Diaphragm Horizontal
Operating Temperature	-40 °F to 185 °F (-40 °C to 85 °C)

Electrical		
Set Point Range	Tolerance	Hysteresis
10 to 180 PSI Pressure *	+/-10%	up to 50%
Adjustment Locked	for Specified Set Point	
Amperage	from .1A to 25 A	
Voltage	125 VAC/250VAC	
Initial Resistance	1 ohm Max.	
Agency		
UL File #	E-12252	
CSA File#	LR41370	

* OPTIONS ARE AVAILABLE FOR SPECIFIC APPLICATIONS.
 OPTIONS CAN AFFECT THE STANDARD SPECIFICATIONS.
 .1 & 1 AMP SNAP SWITCHES USE GOLD CONTACTS



0800 SERIES SWITCHES

eMail Inquiries to sales@mic-tec.com

Visit Our Website
www.mic-tec.com

M Microtechnologies
 2901 GATEWAY DRIVE
 POMPANO BEACH, FLORIDA 33069
 PHONE.: 954-973-6166
 FAX.....: 954-973-6339

UNITS ARE IN INCHES

TOLERANCES UNLESS OTHERWISE SPECIFIED:
 .X= ---- ANGLES ± 2°
 .XX= ±.03 SCALE: 1:1
 .XXX= ±.015
 .XXXX= ---- [] = MILLIMETER

▼ DIFF. FROM CUSTOMER DRAWING
 THIRD ANGLE PROJECTION

INITIAL APPROVAL	DATE	REV	DATE	BY	CHK
DRWN A.Rodriguez	10/11/12	S1	10/16/15	AR	AR
ENGR M.Posada	11/20/12				
SALES L.Reyes	11/02/12				
QUAL S.Ramirez	11/20/12				

CAD FILE: 0800SALES_S1.slddrw
 RELEASED: NOV 10 2015



www.mic-tec.com

DOCUMENT NUMBER	REV
0800SALES	S1
PRINTED COPIES UNCONTROLLED	1 of 1