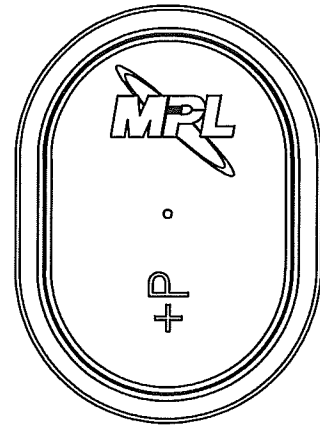
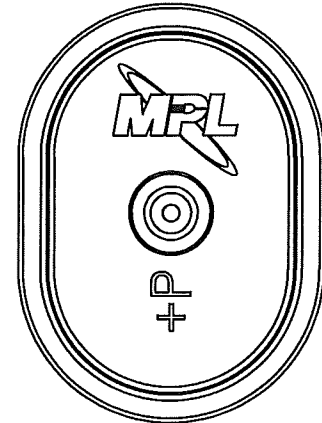
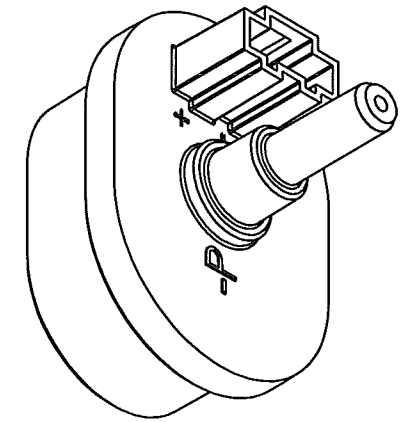
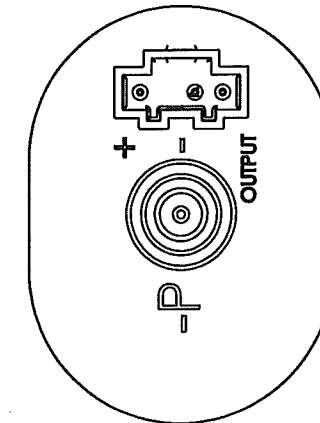
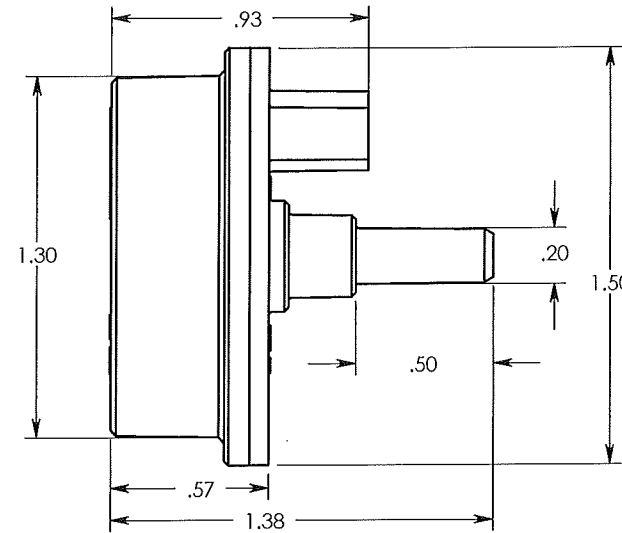


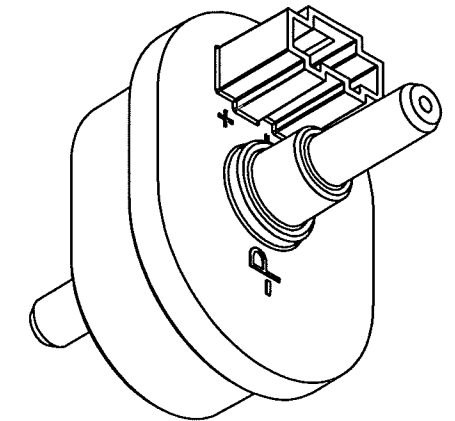
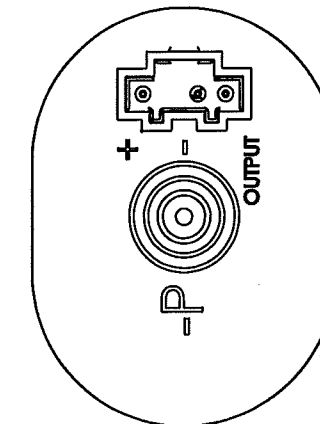
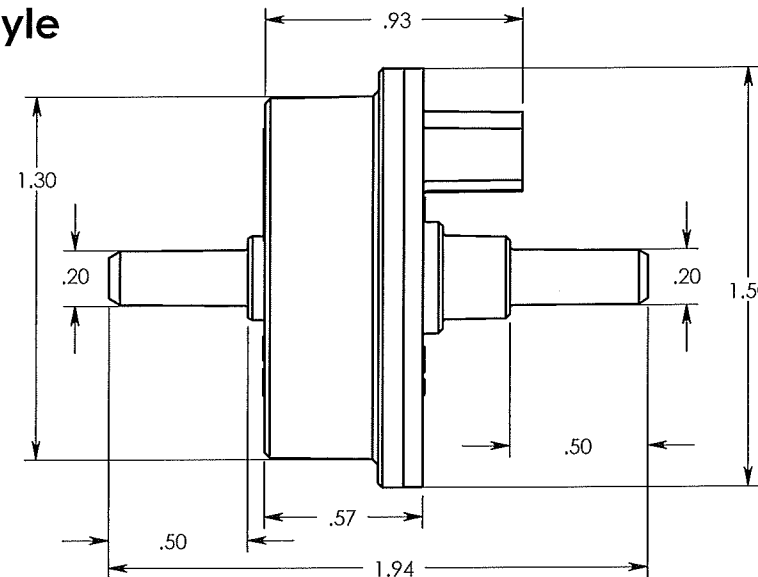
SPECIFICATIONS	
<b>MECHANICAL</b>	
Pressure Type	Vacuum/Differential
Pressure Range Vacuum	2, 5, 10 IN H2O
Pressure Range Differential	±1, ±2.5, ±5 IN H2O
Proof Pressure	3 PSI
Burst Pressure	5 PSI
<b>ELECTRICAL</b>	
Supply Voltage (ideal)	5, 12, 24 Vdc
Supply Current	25 mA Max.
Current Consumption	<10 mA
Output Signal	0.00 to 4.8 Vdc
Output Voltage	Ratio-metric
Zero / Null Pressure (programmable)	0.0 mVdc
<b>PERFORMANCE @ 25 °C</b>	
Zero Offset	±1.5% of full scale
Span Offset	±1.5% of full span
<b>ENVIRONMENTAL</b>	
Operating Temperature	0 to 80 °C
Storage Temperature	-40 °C to +95 °C
Media	Air, Non-corrosive, Non-ionic
Humidity	95% RH
<b>MATERIALS</b>	
Preferred Mounting	Perpendicular to Plane
Pressure Connection	3/16" ID Flexible Tubing
Housing Material	Glass Filled PBT Polyester or equivalent
Electrical Termination	3 pin male connector mates with Molex connector 50-57-9404 with Molex 16-02-0102C terminals or equivalent
Terminal Pins Material	Phosphor Bronze Tinned
Weight	10 grams, approximately
<b>AGENCY</b>	
UL (ULc) File Number	SA33104



**Vacuum Style**



**Differential Style**



**eMail Inquiries to sales@mic-tec.com**

VISIT OUR WEBSITE  
[www.mic-tec.com](http://www.mic-tec.com)

M Microtechnologies  
2901 GATEWAY DRIVE  
POMPANO BEACH, FLORIDA 33069  
PHONE.: 954-973-6166  
FAX.....: 954-973-6339

UNITS ARE IN INCHES

TOLERANCES: UNLESS OTHERWISE SPECIFIED

.X = ---  
.XX = ±.03  
.XXX = ±.015  
.XXXX = ---

ANGLES ± 2°

SCALE: 1 : 1

INITIAL APPROVAL	DATE	REV	DATE	BY	CHKD
DRWN A.Rodriguez	02/28/11	S2	10/16/15	AR	AR
ENGR M.Posada	03/08/11				
SALES D.Bracewell	03/08/11				
QUAL S.Ramirez	03/09/11				
CAD FILE: 9391-SALES.slddrw					
RELEASED: NOV 12 2015					



[www.mic-tec.com](http://www.mic-tec.com)

DOCUMENT NUMBER

9391-SALES

REV

S2

THIS DOCUMENT CONTAINS TRADE SECRET INFORMATION THAT IS PROPRIETARY TO MICRO PNEUMATIC LOGIC, INC. AND/OR TO OUR CUSTOMER. USE OF THIS INFORMATION OR THIS DOCUMENT BEYOND THE PREMISES OF MICRO PNEUMATIC LOGIC INC. IS UNLAWFUL AND PROHIBITED WITHOUT PRIOR WRITTEN AUTHORIZATION.

PRINTED COPIES UNCONTROLLED

1 of 1