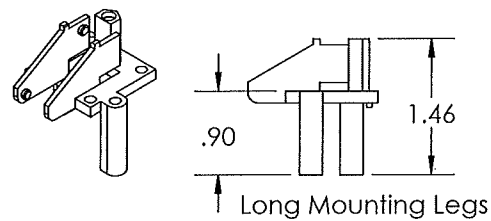
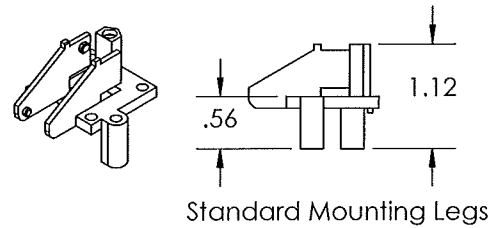
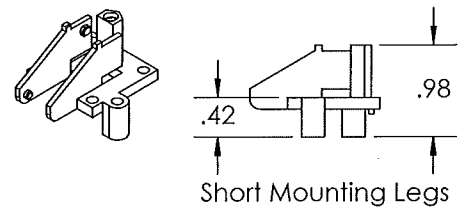
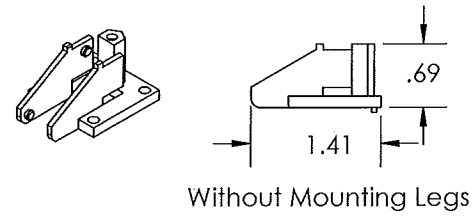


STANDARD SPECIFICATIONS	
Mechanical	
Body	Glass filled polyester
Diaphragm	Polyurethane
Terminals	Brass .187 x .020 male tabs
Contacts	Fine Silver
Contact Form	SPDT
Life	10,000,000 cycles
Weight (approx.)	18 gramsB3
Functional	
Operating Position	Diaphragm vertical
Operating Temperature	-40 °F to 185 °F (-40 °C to 85 °C)

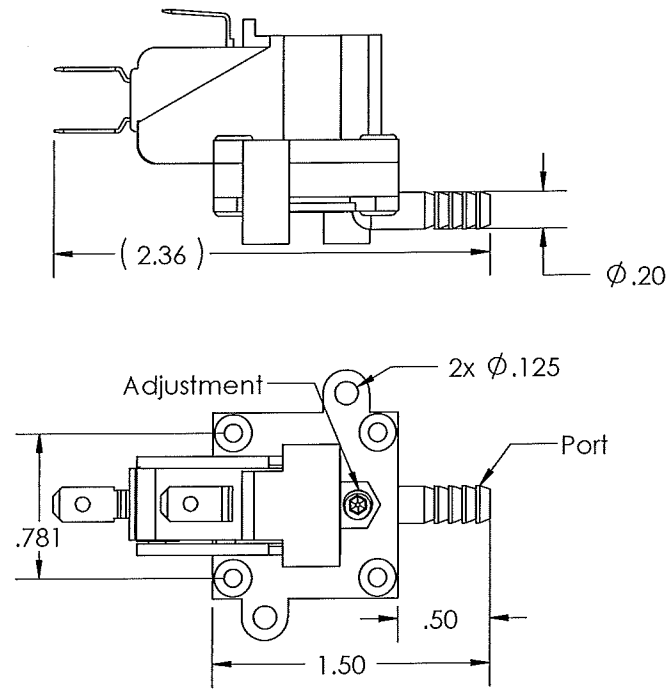
SET POINT	Tolerance	Hysteresis
2.0 to 30.0" W.C. Pressure	+/-20%	up to 50%
30.1 to 1250" WC Pressure	+/-10%	up to 30%
Electrical		
Initial Resistance	1 ohm Max.	
Amperage	from .1A to 25 A	
Voltage	125 VAC/250VAC	
Agency		
UL File #	E-70125	

OPTIONS ARE AVAILABLE FOR SPECIFIC APPLICATIONS
 OPTIONS CAN AFFECT THE STANDARD SPECIFICATIONS
 .1 AMP & 1 AMP SNAP SWITCHES USE GOLD CONTACTS

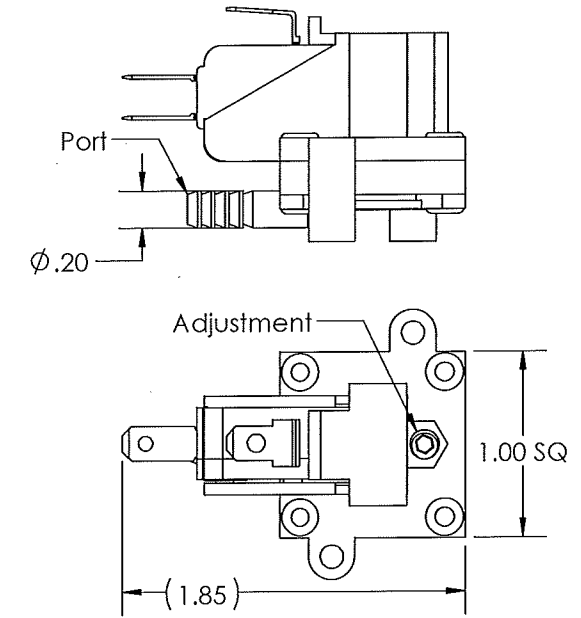
BRACKETS



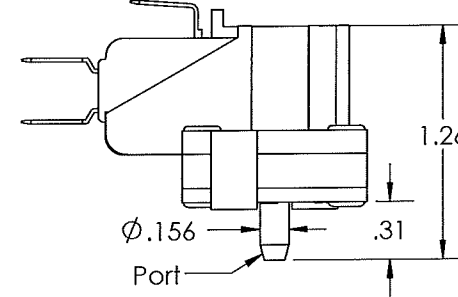
0600 Style



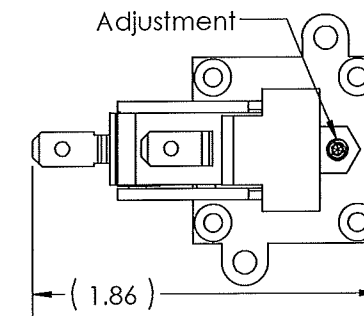
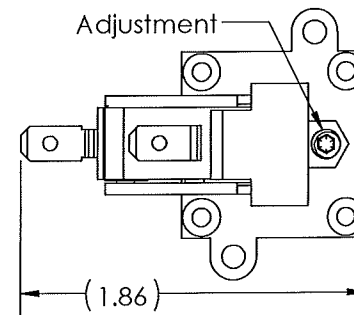
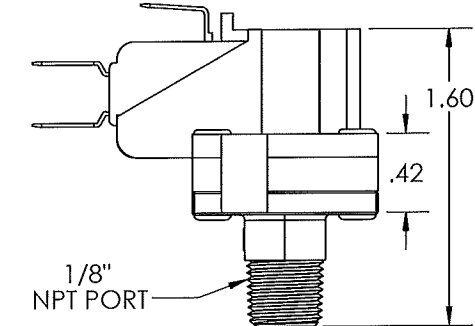
0601 Style



0602 Style



628 Style



0600 SERIES SWITCHES

eMail Inquiries to sales@mic-tec.com

VISIT OUR WEBSITE
www.mic-tec.com

M Microtechnologies
 2901 GATEWAY DRIVE
 POMPANO BEACH, FLORIDA 33069
 PHONE.: 954-973-6166
 FAX.....: 954-973-6339

DIMENSIONS:
 UNITS ARE IN INCHES
 TOLERANCES UNLESS
 OTHERWISE SPECIFIED:
 .X= ----
 .XX= ±.03
 .XXX= ±.015
 .XXXX= ----
 ANGLES ± 2° SCALE: 1:1

INITIAL APPROVAL	DATE	REV	DATE	BY	CHKD
DRWN A.Rodriguez	06/07/11	S1	10/30/15	DR	DR
ENGR M.Posada	07/14/11				
SALES D.Bracewell	07/15/11				
QUAL S.Ramirez	07/15/11				
CAD FILE: 0600SALES_S1.slddrw		RELEASED: NOV 02 2015			



www.mic-tec.com

DOCUMENT NUMBER	REV
0600 SALES	S1
PRINTED COPIES UNCONTROLLED	1 of 1