

STANDARD SPECIFICATIONS	
<b>Mechanical</b>	
Body	Glass filled polyester
Diaphragm	Polyurethane
Terminals	Brass, Gold plated NEMA
Contacts	Phosphor bronze with gold contact area
Contact Form	SPST normally open
Life	100,000,000 cycles
Weight	approximately 10 grams
<b>Functional</b>	
Operating Position	Diaphragm vertical
Operating Temperature	-40°F to 140°F (-40°C to 60°C)

SET POINT RANGES IN H <sub>2</sub> O (Pa) PRESSURE @ AMBIENT						
Ranges	Minimum		Maximum		Proof	
	in H <sub>2</sub> O	Pa	in H <sub>2</sub> O	Pa	in H <sub>2</sub> O	kPa
Range A (N/O)	0.10	25	0.50	125	5	1.2
Range B	0.50	125	2	498	15	3.74
Range C	2	498	10	2.49k	70	17.4
Range D	10	2.49k	30	7.5k	250	62.3
Range E	30	7.5k	150	37.4k	550	137.9
Range F	150	37.4k	550	137.9k	690	172.4

SET POINT TOLERANCES IN H <sub>2</sub> O (Pa)	
0.10 (25) to 0.15 (37)	+/-50%
0.16 (40) to 0.30 (75)	+/-30%
0.31 (77) to 10.0 (2.49K)	+/-20%
10.1 (2.5K) or GREATER	+/-10%
<b>Electrical</b>	
Initial Resistance	<500 milliohms
UL/CSA Ratings	3.15ma @ 125VAC
Additional Ratings	10-20ma @ 5-24VDC
<b>Agency</b>	
UL File #	E-70125
CSA File #	50215

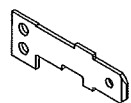
OPTIONS ARE AVAILABLE FOR SPECIFIC APPLICATIONS  
 OPTIONS CAN AFFECT THE STANDARD SPECIFICATIONS

### TERMINALS

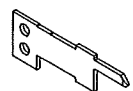


STANDARD

.187x.020  
(4.75x.508)

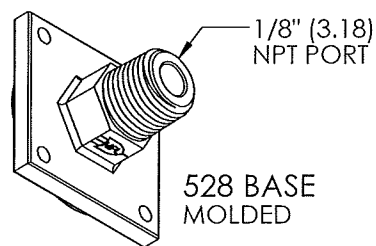


EXTENDED



PCB MOUNT  
NARROW SPACING

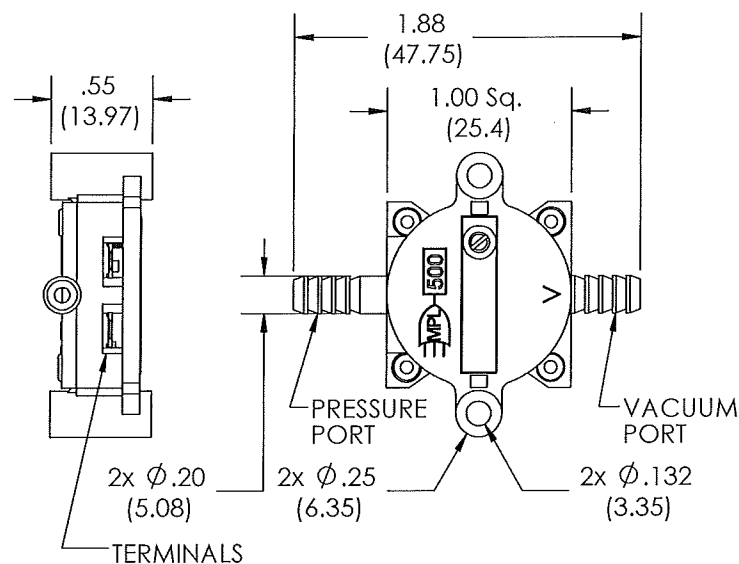
OPTIONAL BASE  
(pressure only)



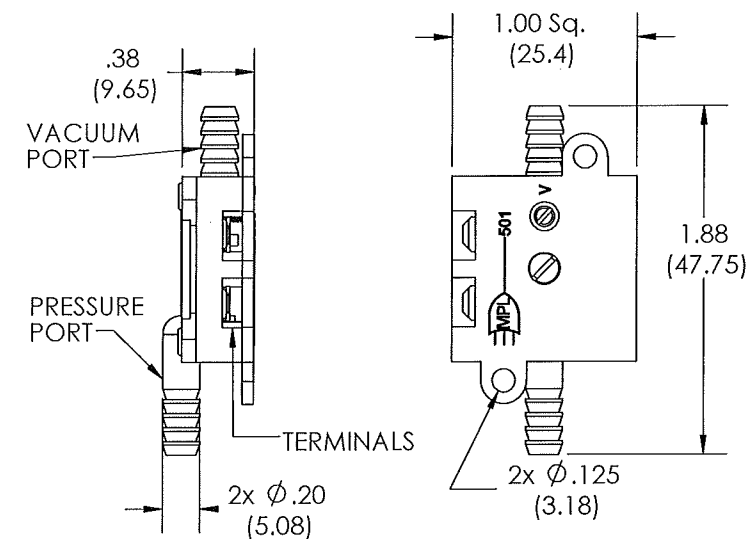
### FORMS

Differential: 2 Ports - can be used as Differential vacuum, or pressure  
 Vacuum only:.... 1 port on housing  
 Pressure only:.... 1 port on base

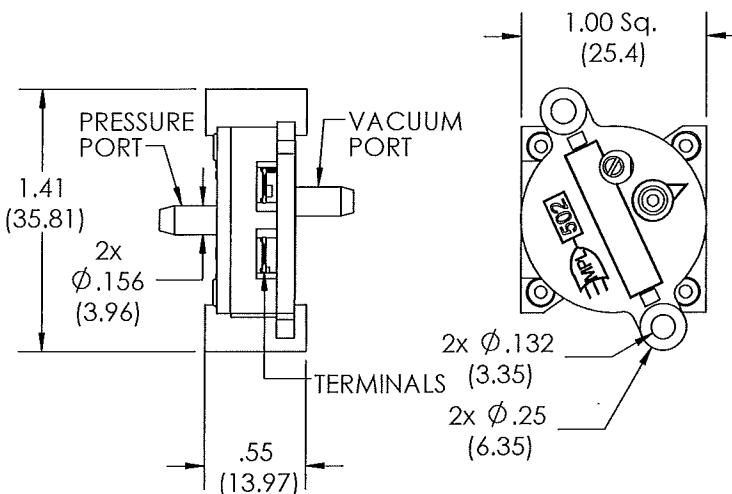
#### 0500 Style Differential



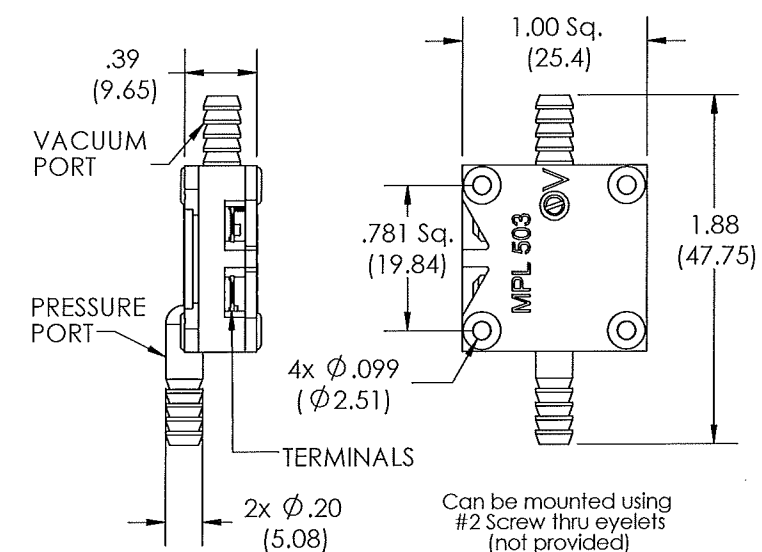
#### 0501 Style Differential



#### 0502 Style Differential



#### 0503 Style Differential



### 0500 SERIES SWITCHES


eMail Inquiries to sales@mic-tec.com

VISIT OUR WEBSITE  
www.mic-tec.com

M Microtechnologies  
 2901 GATEWAY DRIVE  
 POMPANO BEACH, FLORIDA 33069  
 PHONE.: 954-973-6166  
 FAX.....: 954-973-6339

DIMENSIONS:  
INCHES (MILLIMETERS).  
 TOLERANCES UNLESS  
OTHERWISE SPECIFIED:  
 .X= ---  
 .XX= ±.030 (.76)  
 .XXX= ±.015 (.38)  
 .XXXX= ---  
 ANGLES ± 2° SCALE: 1:1

DRWN	ENGR	SALES	QUAL	CAD FILE	INITIAL APPROVAL	DATE	REV	DATE	BY	CHCK
A.Rodriguez	S.Severson	D.Bracewell	G.Hock	0500SALES_S1.slddrw	A.Rodriguez	07/05/05	S1	11/02/15	ASR	CH
						07/25/05				
						07/25/05				
						07/22/05				

 www.mic-tec.com		DOCUMENT NUMBER	REV
		0500SALES	S1
PRINTED COPIES UNCONTROLLED		1 of 1	

NOV 02 2015